

B3XR-A-SERIES ELECTRICAL PUMP SELF PRIMING 3"



DESCRIPTION

Self priming electric pump monobloc execution with multi-blades open impeller, suitable for pumping dirty waters absolutely not abrasive. A suitable non return valve is placed inside the pump body to avoid the empty after stopping.

FEATURES	4"	5,5"	7,5"
Max suction depth:	6 m	6m	6 m
Max liquid temperature:	+70° C	+70° C	+70° C
Max solids diameter:	19 mm	24 mm	24 mm
Max delivery:	78 m3/h	86 m3/h	90 m3/h
Max manometric head:	2,6 bar	2,6 bar	3,0 bar
Ø inlet / outlet:	3" G	3" G	3" G

VERSION

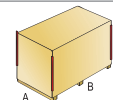
Pump body:	Cast iron
Valve body:	Cast iron
Support:	Cast iron
Impeller:	Cast iron
Motor shaft:	Stainless Steel AISI 316
Seal:	Nbr/Carbon/Alumina

SPECIAL VERSIONS

Different mechanical seals
Special voltages
Frequency 60Hz

TECHNICAL DATA

Typo Type	P2 (kW)	V (Volt)	Freq. (Hz)	Corrente nominale Rated current Intensité (A)	Protez. Protection	Giri/min RPM Tours/min	Cond. (µF)	Peso Weight Poids (Kg.)	A/B/C (mm)
B3XR-A T.	4,0	400/690	50	7,8 / 4,5	IP 55	2900	-	79	410x770x645
B3XR-A T.	5,5	400/690	50	11 / 6,5	IP 55	2900	-	96	415x855x665
B3XR-A T.	7,5	400/690	50	14,3 / 8,3	IP 55	2900	-	98,5	415x855x665



B3XR-A 4 kW

SELF PRIMING ELECTRIC PUMPS

CURVE DI PRESTAZIONE

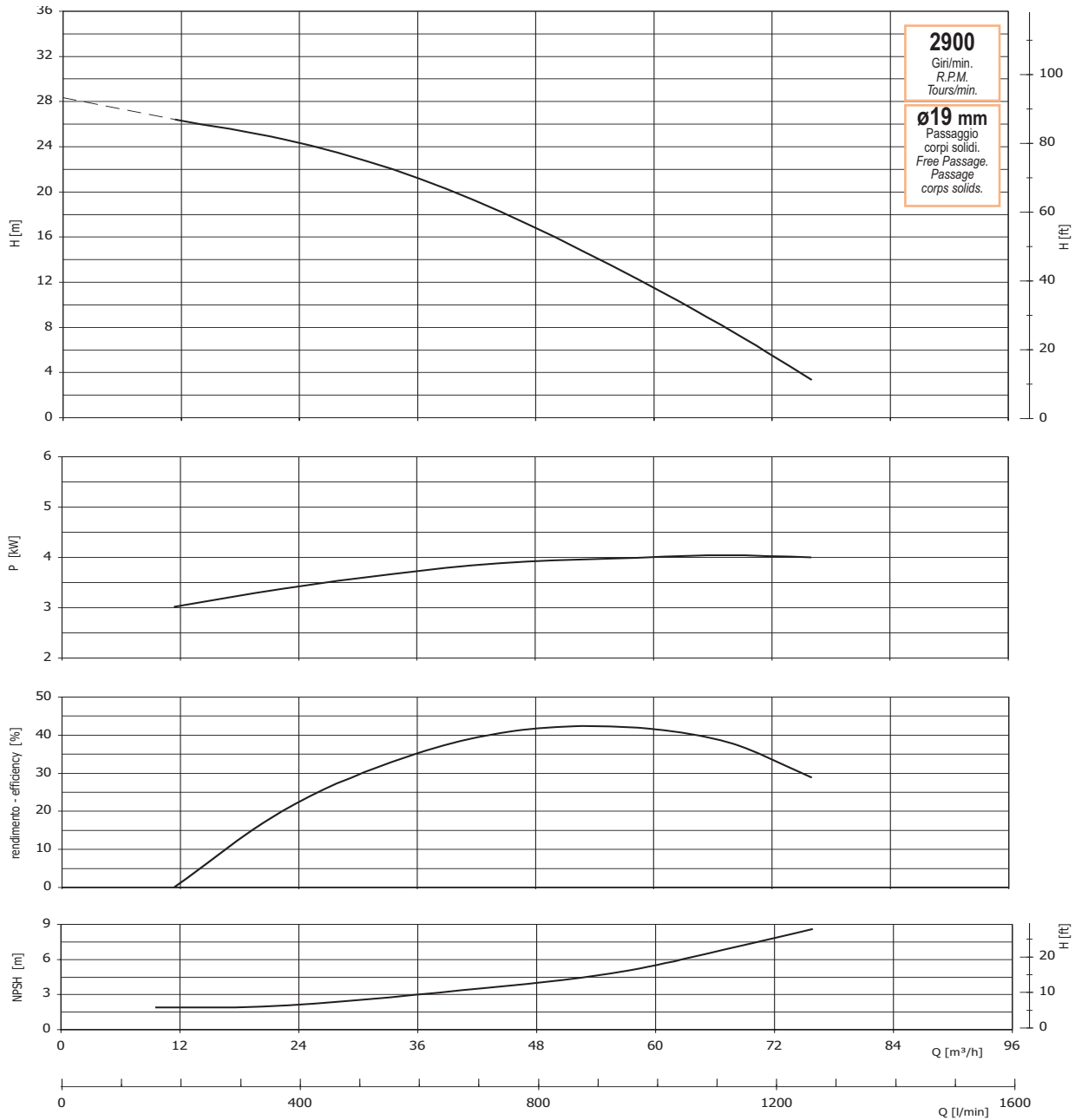
Tolleranze e curve secondo UNI EN ISO 9906
Appendice A

PERFORMANCES CURVES

Tolerance and curves according to UNI EN ISO 9906
Attachment A

COURBES DE PERFORMANCES

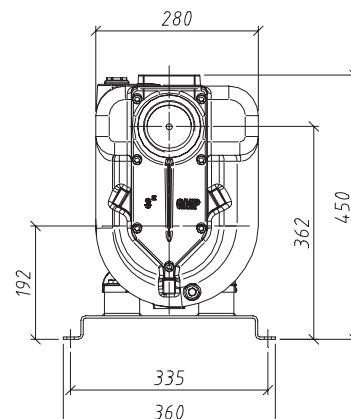
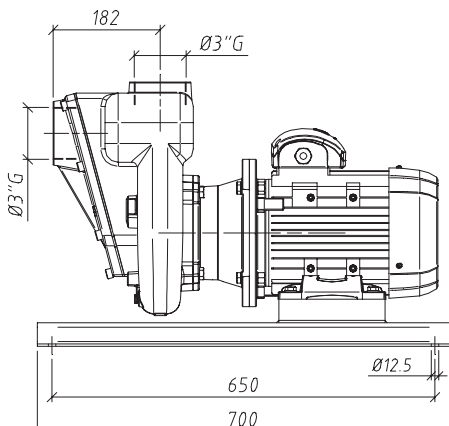
Tolérance et courbes conformes aux normes UNI EN ISO 9906
Annexe A



DIMENSIONI

DIMENSIONS

DIMENSIONS



B3XR-A 5,5 kW

SELF PRIMING ELECTRIC PUMPS

CURVE DI PRESTAZIONE

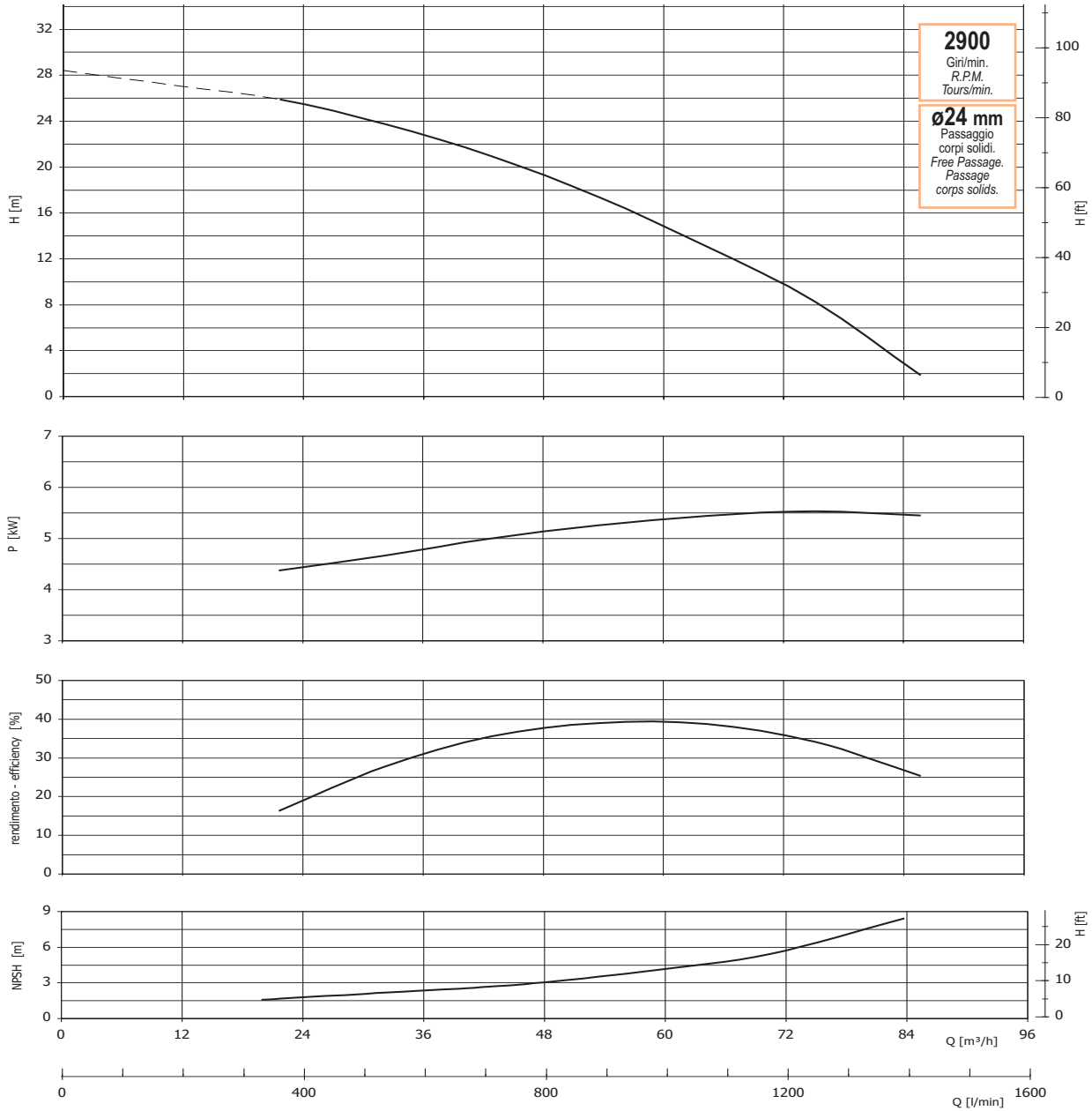
Tolleranze e curve secondo UNI EN ISO 9906
Appendice A

PERFORMANCES CURVES

Tolerance and curves according to UNI EN ISO 9906
Attachment A

COURBES DE PERFORMANCES

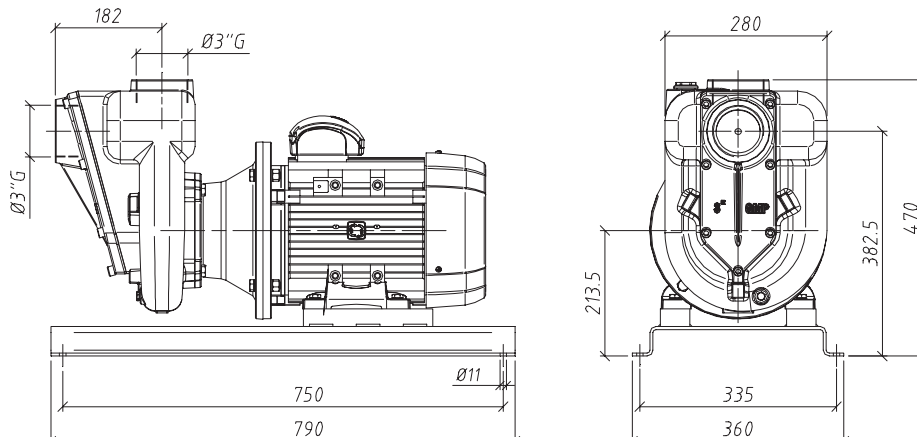
Tolérance et courbes conformes aux normes UNI EN ISO 9906
Annexe A



DIMENSIONI

DIMENSIONS

DIMENSIONS



B3XR-A 7,5 kW SELF PRIMING ELECTRIC PUMPS

CURVE DI PRESTAZIONE

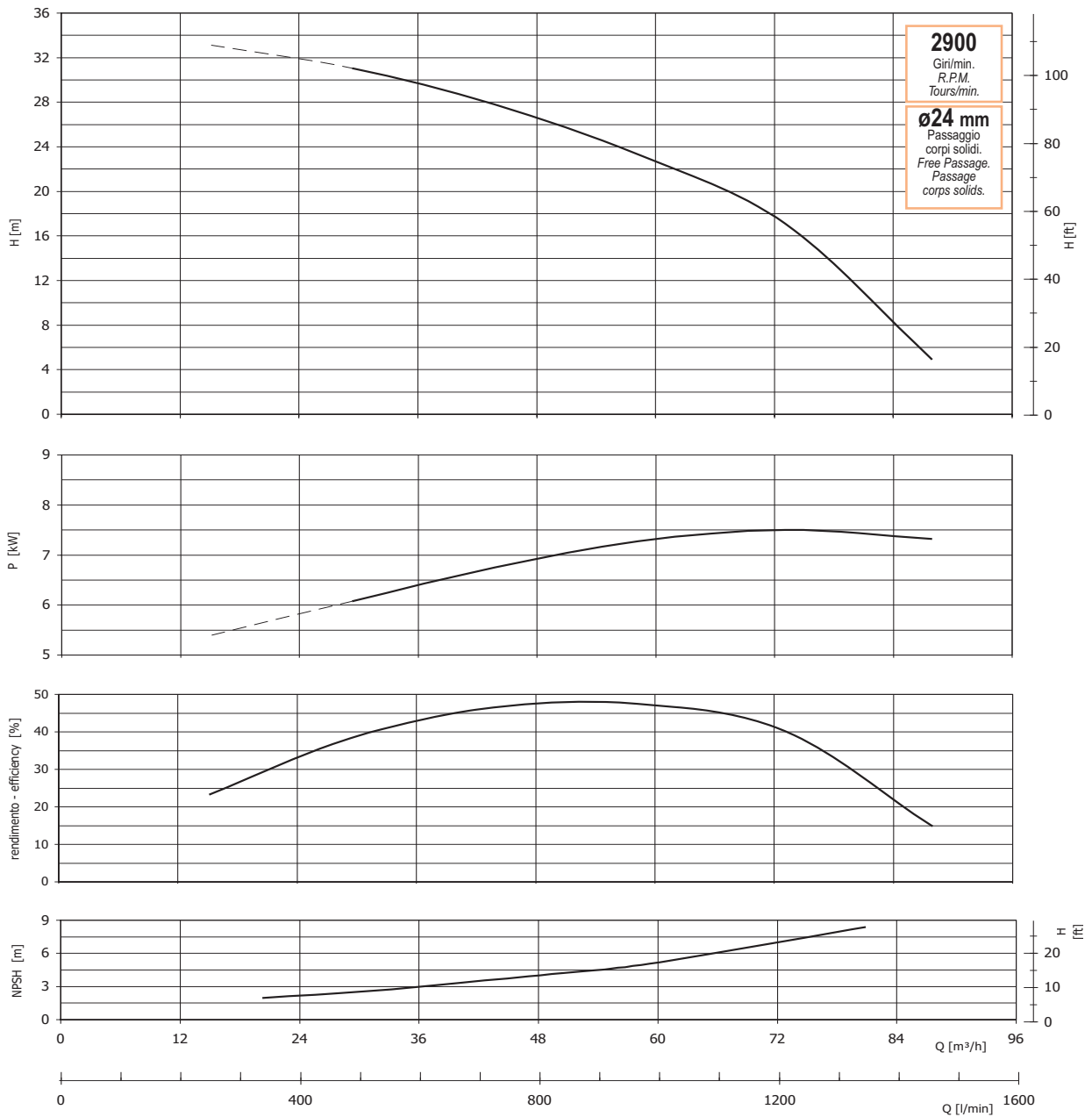
Tolleranze e curve secondo UNI EN ISO 9906
Appendice A

PERFORMANCES CURVES

Tolerance and curves according to UNI EN ISO 9906
Attachment A

COURBES DE PERFORMANCES

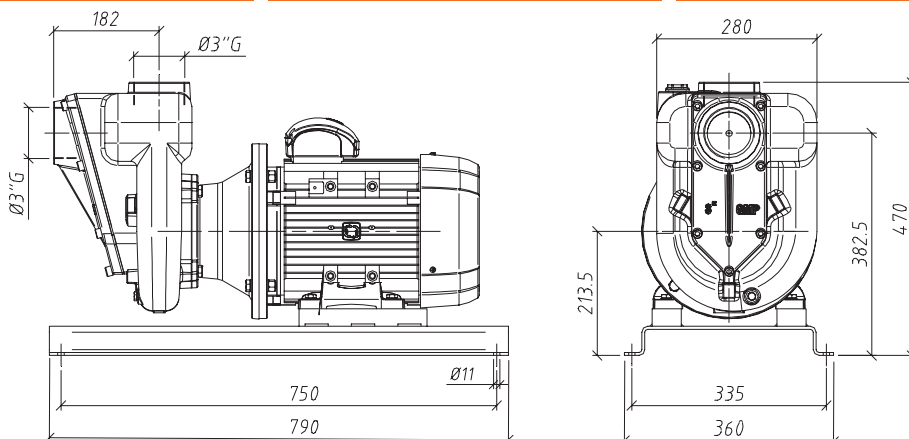
Tolérance et courbes conformes aux normes UNI EN ISO 9906
Annexe A



DIMENSIONI

DIMENSIONS

DIMENSIONS



B3XR-A-SERIES SELF PRIMING PUMPS 3"

