

# SELF PRIMING ELECTRIC PUMPS

**B3XR-A 7,5 kW**



## DESCRIPTION

Self priming electric pump monobloc e ecution ith multi blades open impeller suitable for pumping dirty aters absolutely not abrasive A suitable non return valve is placed inside the pump body to avoid the empty after stopping

## FEATURES

Ma suction depth:	6 m
Ma liquid temperature:	0 C
Ma solids diameter:	mm
Ma delivery:	0 m /h
Ma manometric head:	3 0 bar
inlet / outlet:	3

## VERSION

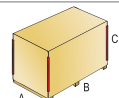
Pump body:	Cast iron
Valve body:	Cast iron
Support:	Cast iron
Impeller:	Cast iron
Motor shaft:	Stainless Steel AISI 316
Seal:	Nbr/Carbon/Alumina

## SPECIAL VERSIONS

Different mechanical seals  
Special voltages  
Frequency 60Hz

## TECHNICAL DATA

Tipo Type	P2 (kW)	V (Volt)	Freq. (Hz)	Corrente nominale Rated current Intensité (A)	Protez. Protection	Giri/min RPM Tours/min	Cond. (µF)	Peso Weight Poids (Kg.)	A/B/C (mm)
B3XR-A T.	7,5	400/690	50	14,3 / 8,3	IP 55	2900	-	98,5	415x855x665



# SELF PRIMING ELECTRIC PUMPS

**B3XR-A 7,5 kW**

## CURVE DI PRESTAZIONE

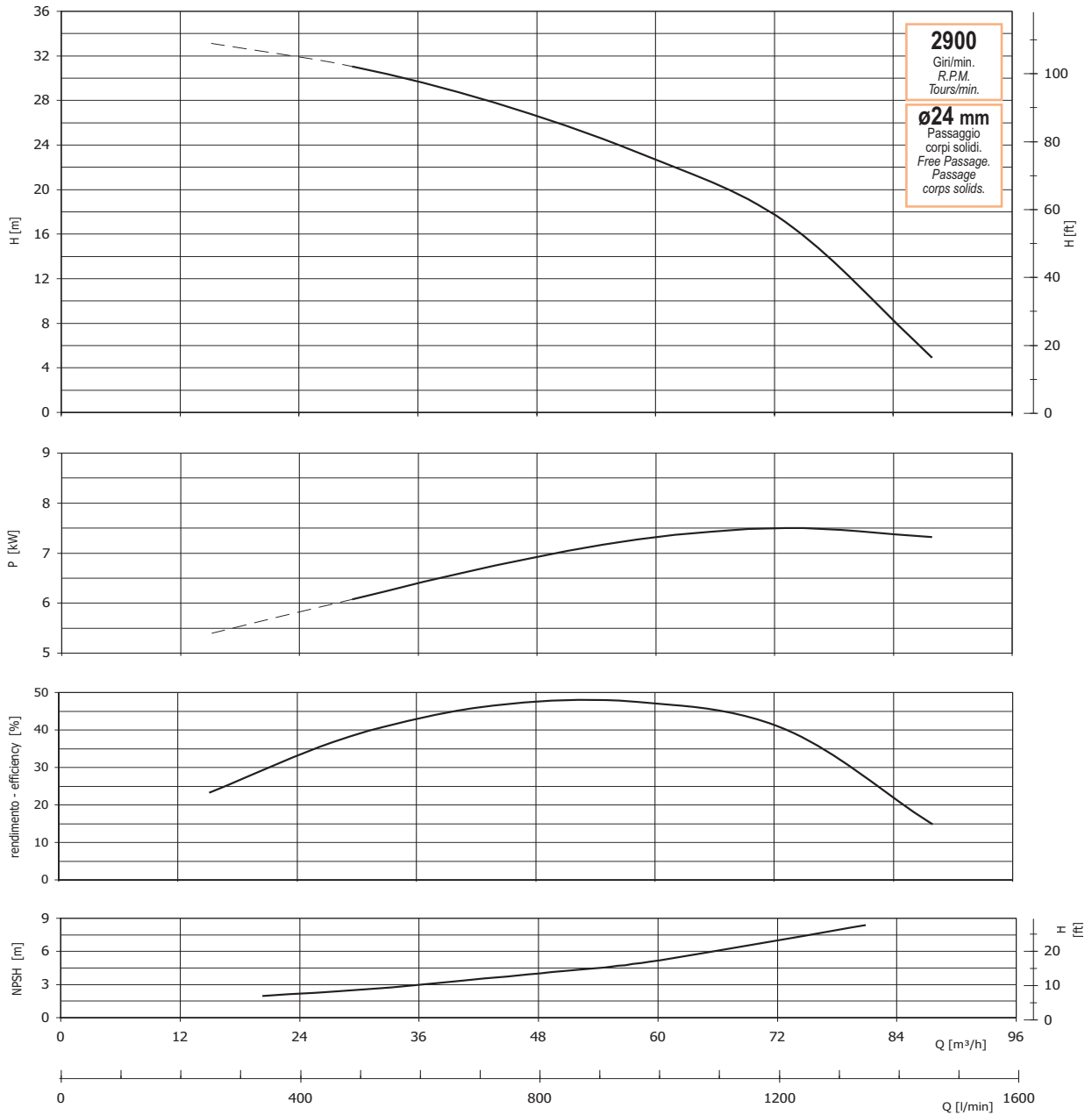
Tolleranze e curve secondo UNI EN ISO 9906  
Appendice A

## PERFORMANCES CURVES

Tolerance and curves according to UNI EN ISO 9906  
Attachment A

## COURBES DE PERFORMANCES

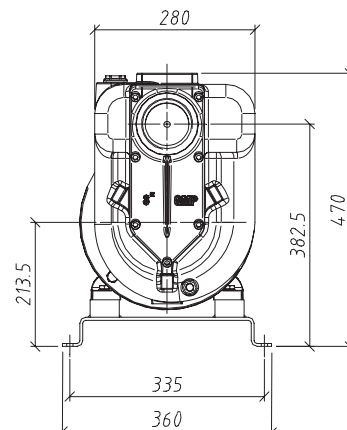
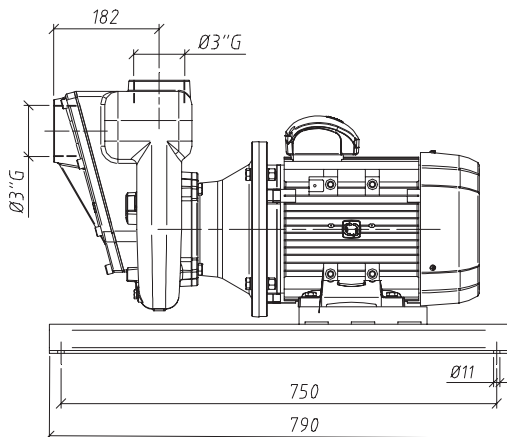
Tolérance et courbes conformes aux normes UNI EN ISO 9906  
Annexe A



## DIMENSIONI

## DIMENSIONS

## DIMENSIONS



# SELF PRIMING ELECTRIC PUMPS

**B3XR-A 5,5 kW**

## CURVE DI PRESTAZIONE

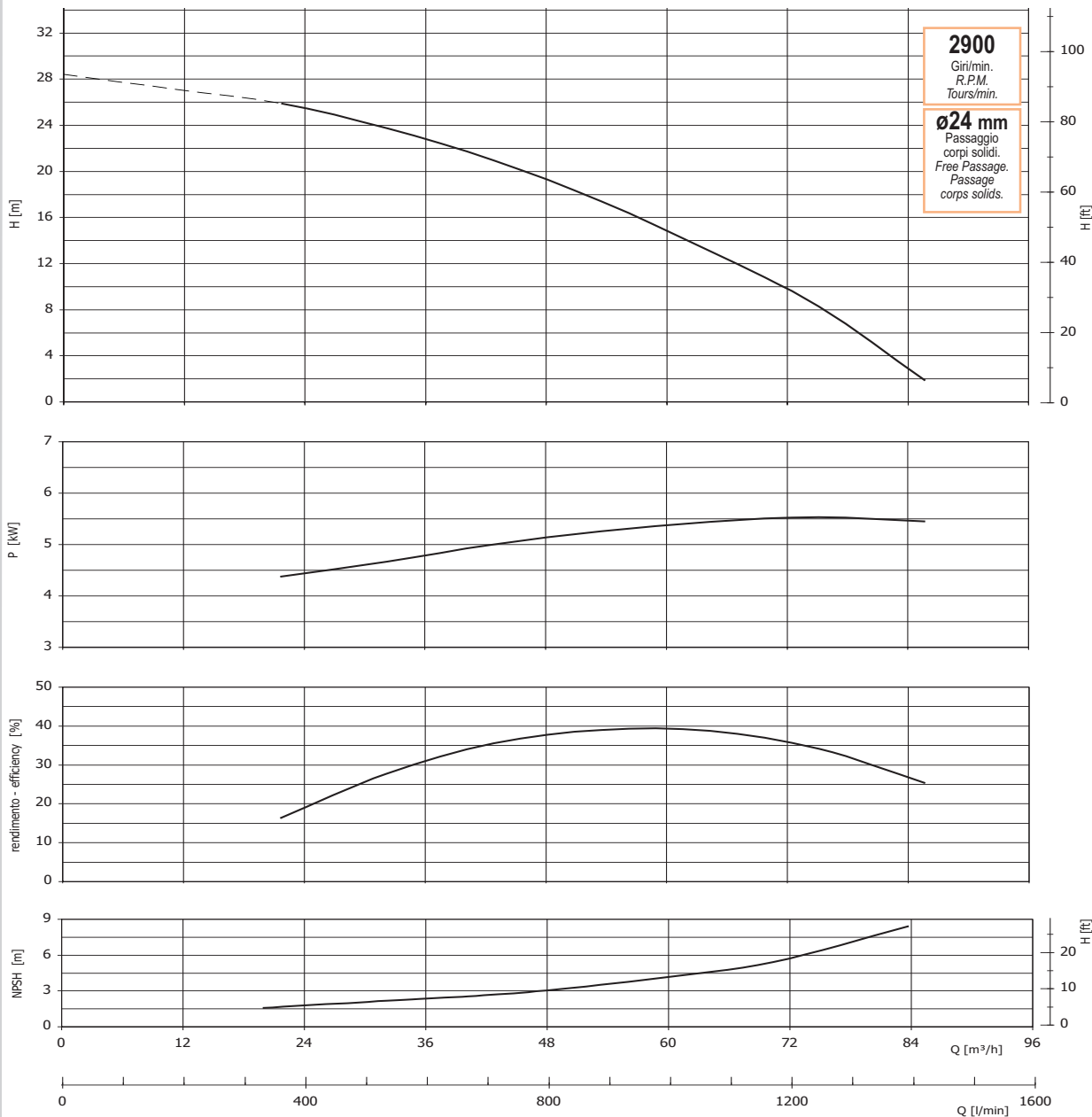
Tolleranze e curve secondo UNI EN ISO 9906  
Appendice A

## PERFORMANCES CURVES

Tolerance and curves according to UNI EN ISO 9906  
Attachment A

## COURBES DE PERFORMANCES

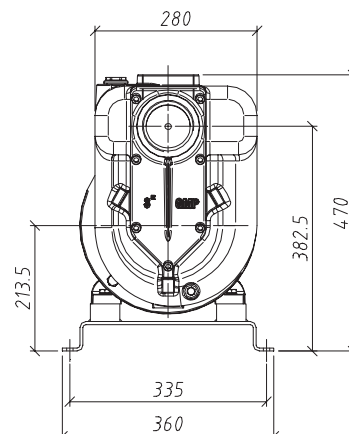
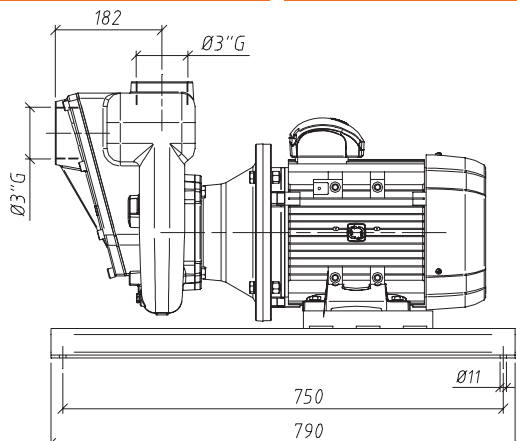
Tolérance et courbes conformes aux normes UNI EN ISO 9906  
Annexe A



## DIMENSIONI

## DIMENSIONS

## DIMENSIONS



# ELETTROPOMPE AUTOADESCANTI SELF PRIMING ELECTRIC PUMPS ELECTROPOMPES AUTOAMORÇANTES

## CURVE DI PRESTAZIONE

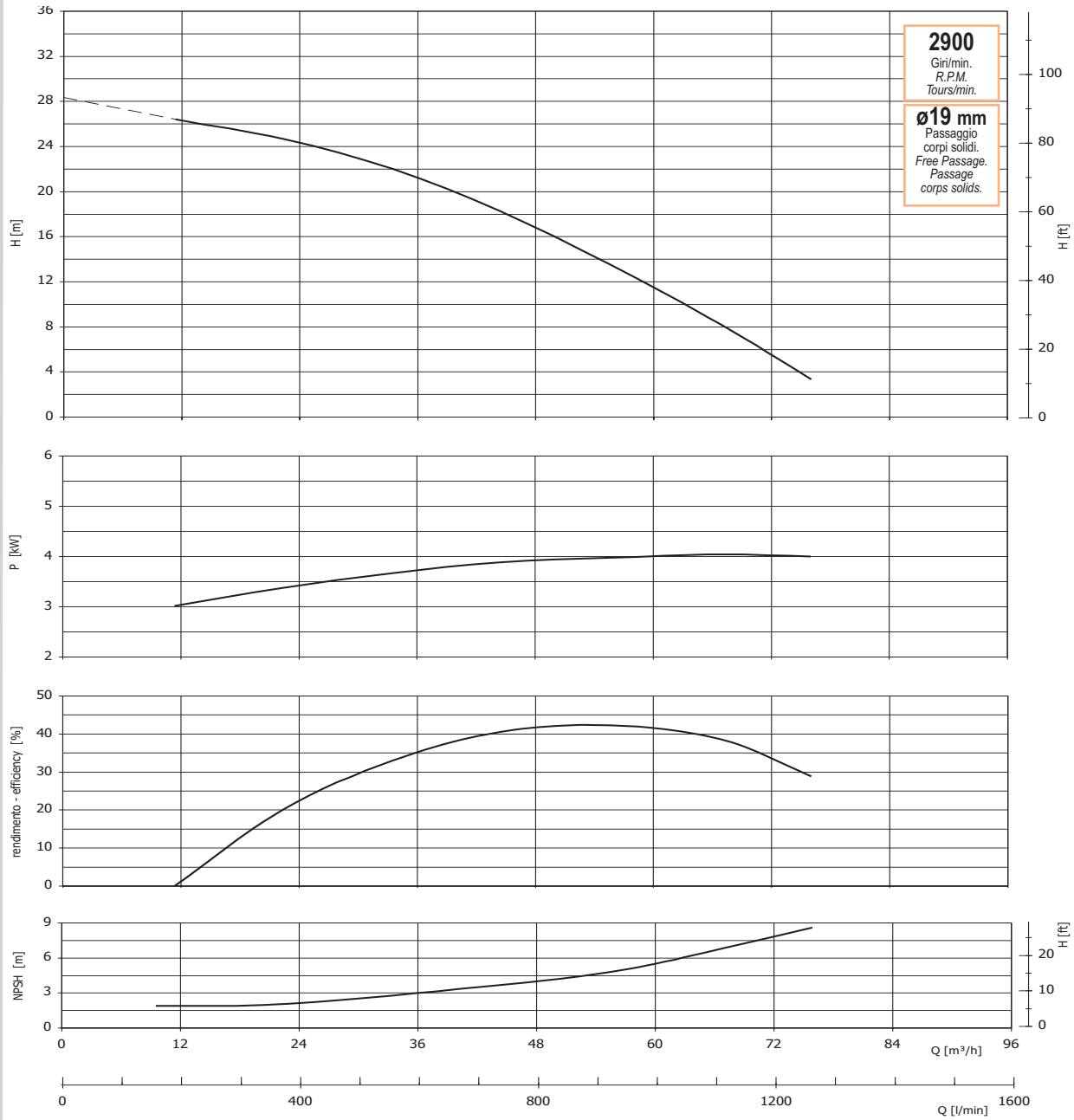
Tolleranze e curve secondo UNI EN ISO 9906  
Appendice A

## PERFORMANCES CURVES

Tolerance and curves according to UNI EN ISO 9906  
Attachment A

## COURBES DE PERFORMANCES

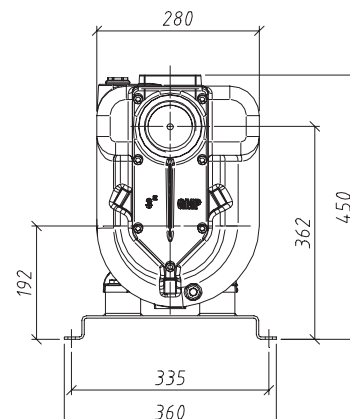
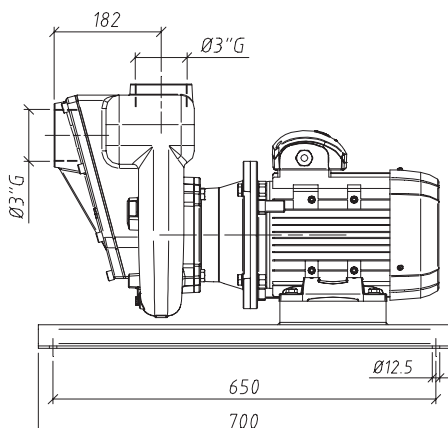
Tolérance et courbes conformes aux normes UNI EN ISO 9906  
Annexe A



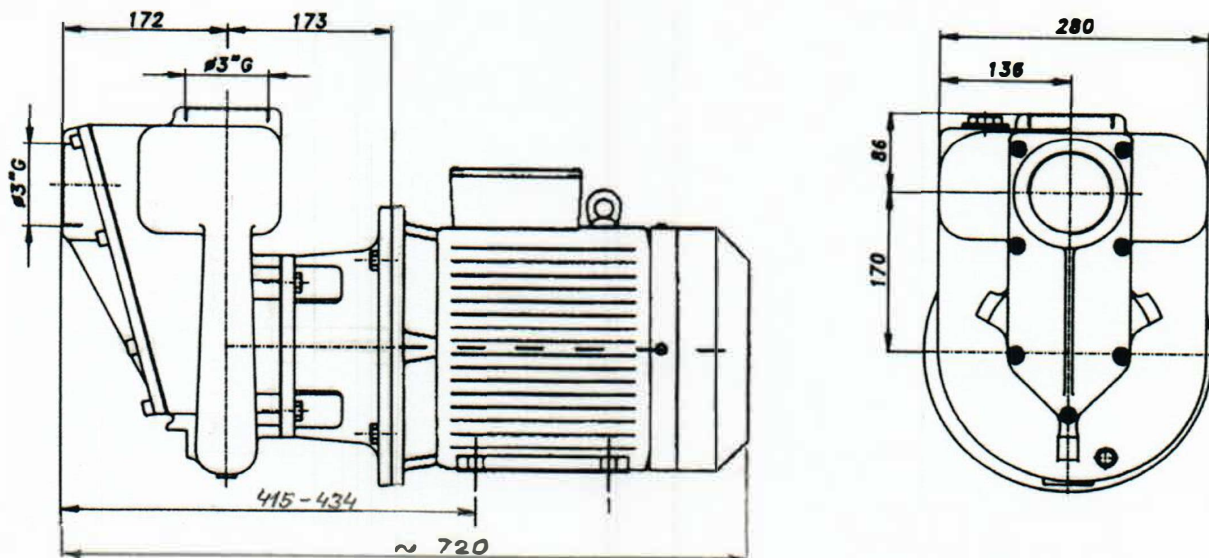
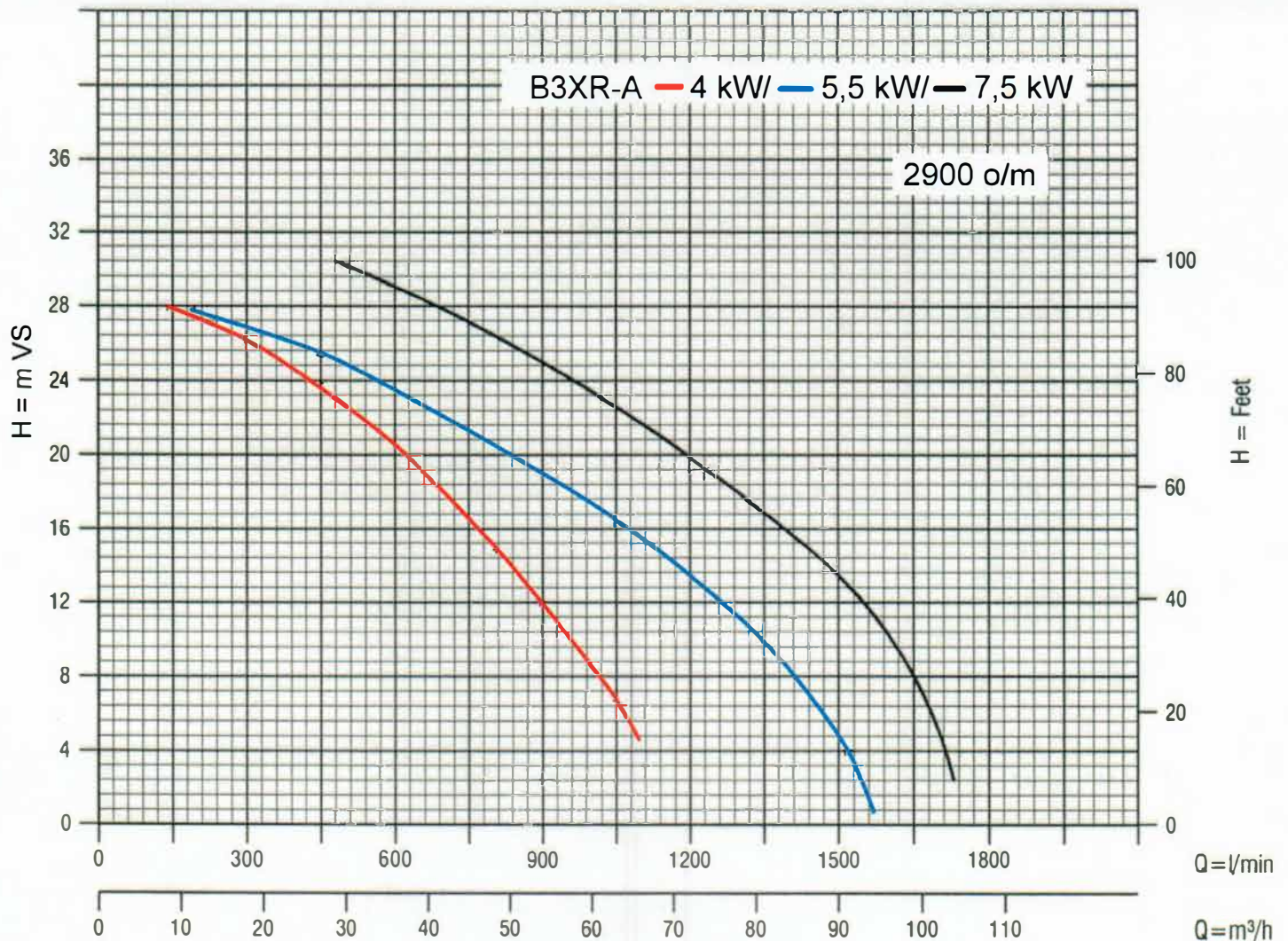
## DIMENSIONI

## DIMENSIONS

## DIMENSIONS



## SELVANSUGENDE CENTRIFUGALPUMPE B3XR-A



**B3XR-A** pumpen er selvansugende indtil 7 m dybde, den har højtstående kontra-ventil i sugeåbningen, dette bevirker at den efter en gang at have været væskefyldt vil kunne ansuge igen, efter stop. Pumpen er helt af støbejern i standardudførelsen, med mekanisk akseltætning passende for det pumpede medie, monoblokkoblet til en norm-elmotor for 3x400 V tilslutning. Specialudførelser i bronze eller med rustfri slidplade og inspektionslem i frontpladen, med eksplosions sikker motor eller med motor for andre tilslutningsspændinger.